

Heavy IC Forklift Truck

		HANGCHA GROUP CO.,LTD.									
		CPD120-XG57	CPD120-XW25	CPD120-XW79	CPD140-XG57	CPD140-XW25	CPD140-XW79	CPD160-XG57	CPD160-XW25	CPD160-XW79	
Distinguishing mark	1.1 Manufacturer	HANGCHA GROUP CO.,LTD.									
	1.2 Manufacturer's type designation	CPD120-XG57 CPD120-XW25 CPD120-XW79 CPD140-XG57 CPD140-XW25 CPD140-XW79 CPD160-XG57 CPD160-XW25 CPD160-XW79									
	1.3 Drive: electric (battery or mains), diesel, petrol, fuel gas	Diesel Diesel Diesel Diesel Diesel Diesel Diesel Diesel Diesel Diesel Diesel									
	1.4 Operator type: hand, pedestrian, standing, seated, order-pickler	Seated Seated Seated Seated Seated Seated Seated Seated Seated Seated Seated									
	1.5 Rated capacity/rated load	Q (kg) 12000 12000 12000 14000 14000 14000 16000 16000 16000 16000									
	1.6 Load centre distance	c (mm) 600 600 900 600 600 600 600 600 600 600									
	1.8 Load distance, centre of drive axle to fork	x (mm) 760 760 785 785 785 785 805.5 805.5 805.5 805.5									
	1.9 Wheelbase	y (mm) 3000 3000 3100 3100 3100 3100 3100 3100 3100 3100									
	Weight	2.1 Service Weight	kg 15600 15600 15600 17600 17600 17600 19200 19200 19200 19200								
Tyres, chassis	3.1 Tyres: solid rubber, superelastic, pneumatic, polyurethane	Pneumatic Pneumatic Pneumatic Pneumatic Pneumatic Pneumatic Pneumatic Pneumatic Pneumatic Pneumatic Pneumatic									
	3.2 Tyre size, front	10.00-20-14PR 10.00-20-14PR 11.00-20-18PR 11.00-20-18PR 11.00-20-18PR 11.00-20-18PR 12.00-20-20PR 12.00-20-20PR 12.00-20-20PR 12.00-20-20PR									
	3.3 Tyre size, rear	10.00-20-14PR 10.00-20-14PR 11.00-20-18PR 11.00-20-18PR 11.00-20-18PR 11.00-20-18PR 12.00-20-20PR 12.00-20-20PR 12.00-20-20PR 12.00-20-20PR									
	3.6 Tread, front	b10 (mm) 1780 1780 1780 1780 1780 1780 1780 1780 1780 1780									
	3.7 Tread, rear	b11 (mm) 1920 1920 1890 1890 1890 1890 1890 1890 1890 1890									
Dimensions	4.1 Tilt of mast/fork carriage forward/backward	α(β)° 6/12 6/12 6/12 6/12 6/12 6/12 6/12 6/12 6/12 6/12									
	4.2 Height, mast lowered	h1 (mm) 3180 3180 3270 3270 3270 3270 3290 3290 3290 3290									
	4.4 Lift	h3 (mm) 3000 3000 3000 3000 3000 3000 3000 3000 3000 3000									
	4.7 Height of overhead guard (cabin)	hc (mm) 2930 2930 3060 3060 3060 3060 3080 3080 3080 3080									
	4.19 Overall length	L1 (mm) 6000 6000 6210 6210 6210 6210 6320 6320 6320 6320									
	4.20 Length to face of forks	L2 (mm) 4500 4500 4710 4710 4710 4710 4820 4820 4820 4820									
	4.21 Overall width	b1 (mm) 2420 2420 2480 2480 2480 2480 2480 2480 2480 2480									
	4.22 Fork dimensions ISO 2331	s/e/f (mm) 1500x200x80 1500x200x80 1500x200x85 1500x200x85 1500x200x85 1500x200x85 1500x200x90 1500x200x90 1500x200x90 1500x200x90									
	4.25 Distance between fork-arms	bs (mm) 520/2200 520/2200 520/2200 520/2200 520/2200 520/2200 520/2200 520/2200 520/2200 520/2200									
	4.31 Ground clearance, laden, below mast	m1 (mm) 250 250 250 250 250 250 270 270 270 270									
4.32 Ground clearance, centre of wheelbase	m2 (mm) 315 315 330 330 330 330 350 350 350 350										
4.35 Turning radius	Wa (mm) 4150 4150 4350 4350 4350 4350 4450 4450 4450 4450										
Performance Data	5.1 Travel speed, laden/unladen	km/h 24/26 26/28 22/26 22/27 24/29 22/26 23/28 25/30 23/27									
	5.2 Lift speed, laden/unladen	m/s 0.335/- 0.35/- 0.32/- 0.335/- 0.35/- 0.32/- 0.315/- 0.35/- 0.32/-									
	5.5 Drawbar pull, laden/unladen	N 100000/- 100000/- 100000/- 100000/- 100000/- 100000/- 100000/- 100000/- 100000/- 100000/-									
	5.7 Gradeability, laden/unladen	% 20/- 20/- 20/- 20/- 20/- 20/- 20/- 20/- 20/- 20/-									
	5.10 Service brake	Pneumatic Drum Pneumatic Drum Pneumatic Drum									
Combustion-engine	7.1 Engine manufacturer/type	CHINA/YC6160-T300 CUMMINS/QSB6.7-C160 CHINA/YC6160-T300 CUMMINS/QSB6.7-C160 CHINA/YC6160-T300 CUMMINS/QSB6.7-C160 CHINA/YC6160-T300 CUMMINS/QSB6.7-C160 CHINA/YC6160-T300 CUMMINS/QSB6.7-C160 CHINA/YC6160-T300 CUMMINS/QSB6.7-C160									
	7.2 Emission STD	Stage3A/Tier3 Stage4/Tier4 Stage3A/Tier3 Stage4/Tier4 Stage3A/Tier3 Stage4/Tier4 Stage3A/Tier3 Stage4/Tier4 Stage3A/Tier3 Stage4/Tier4									
	7.3 Rated power according to DIN ISO 1585	kw 118 119 118 118 119 118 118 119 118 118									
	7.4 Rated speed	min 2200 2300 2100 2200 2100 2200 2100 2300 2100 2100									
	7.4 Number of cylinders/displacement	(l)/(cm³) 6/6500 6/6700 6/6700 6/6500 6/6700 6/6700 6/6500 6/6700 6/6700 6/6700									
	7.10 Battery voltage/nominal capacity	V/Ah 2x12/120 2x12/120 2x12/120 2x12/120 2x12/120 2x12/120 2x12/120 2x12/120 2x12/120 2x12/120									
	Rated torque	Nm/r/min 650/1600 731/1500 841/1500 650/1600 731/1500 841/1500 650/1600 731/1500 841/1500 841/1500									
	Bore x stroke	mm 105x125 107x124 107x124 105x125 107x124 107x124 105x125 107x124 107x124 107x124									
	Stage Fwd/RV5	2/1 2/1 2/1 2/1 2/1 2/1 2/1 2/1 2/1 2/1									
	10.1 Operating pressure for attachments	bar 200 200 200 200 200 200 200 200 200 200									

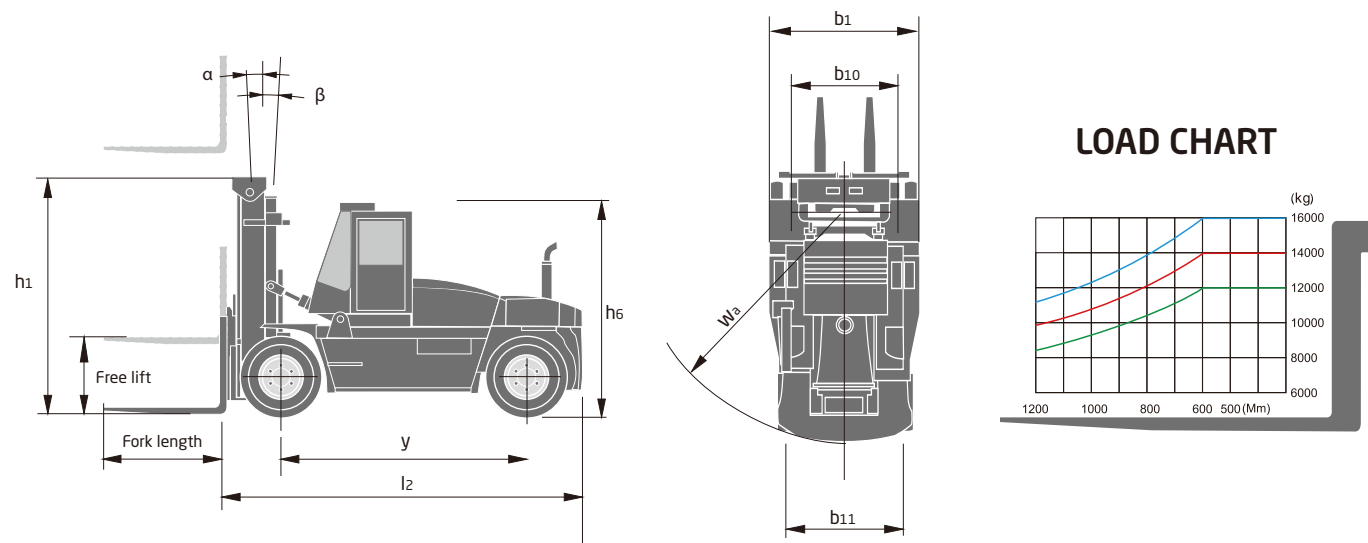
12.0-16.0t Forklift Mast Specification

Type	Model	Mast fork height	Overall height			Tilt range		Capacity
			Lowered	Extended		FWD	RWD	load capacity at 600mm Double tire
				Without backrest				
		mm	mm	mm	(°)	(°)	kg	
GX120MX	GX120M300	3000	3180	4695	6	12	12000	
	GX120M330	3300	3330	4995	6	12	12000	
	GX120M360	3600	3480	5295	6	12	12000	
	GX120M400	4000	3680	5695	6	12	12000	
	GX120M430	4300	3880	6030	6	6	12000	
	GX120M450	4500	3980	6230	6	6	12000	
	GX120M480	4800	4130	6530	6	6	12000	
	GX120M500	5000	4230	6730	6	6	12000	
	GX120M550	5500	4530	7280	3	6	10000	
	GX120M600	6000	4780	7780	3	6	9000	
GX140MX	GX140M300	3000	3270	4770	6	12	14000	
	GX140M330	3300	3420	5070	6	12	14000	
	GX140M360	3600	3570	5370	6	12	14000	
	GX140M400	4000	3770	5770	6	12	14000	
	GX140M430	4300	3970	6120	6	12	14000	
	GX140M450	4500	4070	6320	6	12	14000	
	GX140M480	4800	4220	6620	6	6	14000	
	GX140M500	5000	4320	6820	6	6	14000	
	GX140M550	5500	4620	7370	3	6	12000	
	GX140M600	6000	4870	7870	3	6	11000	
GX160MX	GX160M300	3000	3290	4790	6	12	16000	
	GX160M330	3300	3440	5090	6	12	16000	
	GX160M360	3600	3590	5390	6	12	16000	
	GX160M400	4000	3790	5790	6	12	16000	
	GX160M430	4300	3990	6140	6	12	16000	
	GX160M450	4500	4090	6340	6	12	16000	
	GX160M480	4600	4240	6640	6	6	16000	
	GX160M500	4800	4340	6840	6	6	16000	
	GX160M550	5000	4640	7390	3	6	14000	
	GX160M600	6000	4890	7890	3	6	12500	



Heavy IC Forklift Truck

with capacities of 12,000 to 16,000kg



ZHEJIANG HANGCHA IMP. & EXP. CO., LTD.

Factory site: 666 Xiangfu Road, Hangzhou, Zhejiang, China (311305)

Tel: +86-571-88926735 88926755
Fax: +86-571-88926789 88132890

sales@hcforklift.com
www.hcforklift.com



Follow us on Facebook



Follow us on YouTube



Follow us on WeChat



ISO14001:2015



ISO9001:2015



HANGCHA trucks conform to the European Safety Requirements.

HANGCHA GROUP CO., LTD. reserves the right to make any changes without notice concerning colors, equipment, or specifications detailed in this brochure, or to discontinue individual models. The colors of trucks, delivered may differ slightly from those in brochures.

2018 VERSION 4-COPYRIGHT 2018/10

The World of Hangcha



Heavy IC Forklift Truck

Environment/
Efficiency/
Economy



Drive Axle

/ Made in China, HANGCHA-customized, heavy-duty master reducer, pneumatic brake system.

Gear-box

/ Imported gear-box, multi-stage torque converter, big converter ratio, wide range of auto-adjust speed; stable and smooth shift, 2 stage forward and 1 stage backward, easy operation and maintenance.

Steering System

/ HANGCHA-made crosswise steering axle; The steering with load sensor and adjustable steering device make the operation easily.

Hydraulic System

/ Multi-hydraulic valve make it easy to operate. Load sensor hydraulic system, dual pumps supply, dynamic load sensor priority valve, reduce power consumption, lower the hydraulic oil temperature.

Chassis

/ The combined chassis structure provide the high intensity and low weight feature, increase the cooling area of the oil tank greatly.

Power System

/ The customer can choose Cummins turbo 6 cylinder engine or Yuchai engine which according with the GB3 Emission Regulation, high performance, low oil consumption, low speed with high torque, great capacity cooler.

Brake System

/ Adopt auto parts, air braking system improves the comfort also reduce the pollution cause by oil leakage.

Lifting Assembly

/ Wide view mast provide great operator visibility; Dual limited speed valves increase the safety; Distance between forks can be adjusted manually is the standard feature, customer can choose fork positioner or sidershifter.

Overhead Guard

/ Full suspension overhead guard connected the chassis with 4 pivots using the rubber; Tilted structure is easy for maintenance; Smaller column and steering wheel increase the operator space.

Electrical System

/ The instrument show all information about the forklift; it will sound alert when low brake pressure or non-lease parking brake.

Standard Specification

- / Hour meter
- / Overhead guard
- / Full hydraulic power steering
- / Wide view duplex mast
- / Standard forks
- / Pneumatic tyre
- / Toolbox
- / Cabin with heater and air conditioner (Only for W79)

Options

- / 2.5-6.0m duplex mast
- / Special carriage and backrest
- / Solid tyre
- / Heater and air conditioner
- / Other dimension forks
- / Other attachment
- / Fire extinguisher
- / Suspension seat
- / Dual air cleaner or special air cleaner
- / Rear working light
- / Customer painting
- / Cab
- / Hydraulic positioner

