



ZHEJIANG HANGCHA IMP. & EXP. CO., LTD.

Factory site: 666 Xiangfu Road,
Hangzhou, Zhejiang, China (311305)

Tel: +86-571-88926735 88926755
Fax: +86-571-88926789 88132890

sales@hcforklift.com
www.hcforklift.com



Follow us on
Facebook



Follow us on
YouTube



Follow us on
WeChat



ISO14001
ISO14001:2015



ISO9001
ISO9001:2015



HANGCHA trucks conform
to the European Safety
Requirements.

2018 VERSION 2/COPYRIGHT 2018/07

HANGCHA GROUP CO., LTD. reserves the right to make any changes without notice concerning colors, equipment, or specifications detailed in this brochure, or to discontinue individual models. The colors of trucks, delivered may differ slightly from those in brochures.



A Series Electric Forklift Truck

with capacities of 1,000 to 3,500kg

The World of Hangcha



Move freely, lift freely

The newest generation A series 1-3.5t electric counter balance truck is new product series of HANGCHA. The totally new designed outline, safety, comfortable and reliability are fully improved, and the whole truck's performance is also increased.



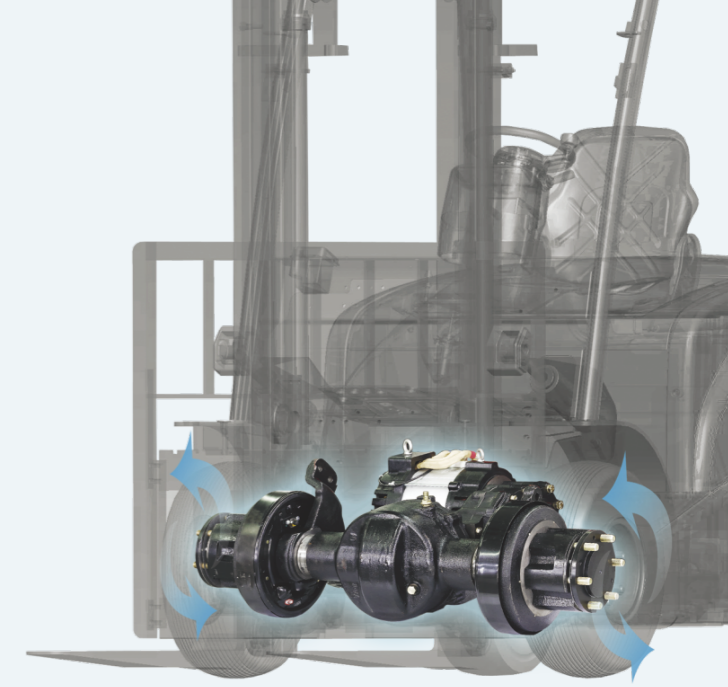
Appearance

Applied advanced new designing method, world famous designing company designed, make the eye catchable stream outline of the truck chassis. Small dimension, simple appearance, and metal material applied for the exposed parts, all provide robust construction of the A series.

Power Train

Stability

Advanced parallel layout of drive motor and lower located battery up to chassis bottom provide good stability to the truck.



Li-Ion Technology

- / The power supply is lithium iron phosphate battery. Each cell is provided with the safety protection device, and is safe and reliable.
- / With advanced BMS power supply management system, intercommunication between the lithium battery and vehicle controller can be realized in order to conduct real-time monitoring for the battery status. The service life and safety of the battery can be effectively improved.
- / With high multiplying power discharge technology, the forklift still can output strong power at the end of battery discharge period.
- / Charging and discharge efficiency are higher, the forklift can have longer endurance mileage, the battery is energy-saving and environment-friendly.
- / With fast charging technology, the lithium battery can be fully charged within 2h.
- / The lithium battery pack adopts the fully-enclosed structure, and is safe and reliable.
- / The battery is maintenance-free, does not result in heavy-metal pollution, and is green and environment-friendly.



Intelligent

- / First-class R&D and testing facility.
- / First-class production quality management system.
- / First-class manufacturing facility.
- / First-class environment and control.

Comfortable Operation

Ergonomic

The new designed steering wheel, new brake system and the easy-to-operate levers provide total handling operation.



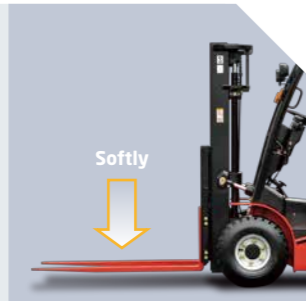
Seat

The extra foot space is provided to reduce operator fatigue significantly. The new wide-open, non-slip step makes getting in and out easy and safe.



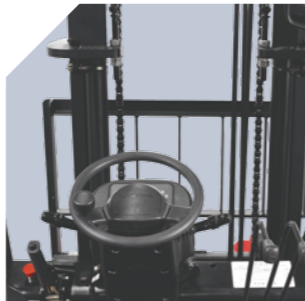
Soft landing

In addition to the soft landing system, the soft lifting system is adopted (front lifting cylinders of triplex mast and full free dup-lex mast), as a result, the noise and shock of the mast significantly decreases.



Wide view mast

New designed wide view mast provides better forward view ability.



Advanced

High frequency MOSFET controller provides accurate control of travelling, lifting, and better adjustable performance, and better matches the motor. Regenerative braking, reverse current braking and anti-slide on slope function guarantee the operation safety.

Multi functions big LED dashboard provides running hours, battery power, and self diagnosis functions, and with high accuracy even in bad environment.

Regenerative braking is more energy saving and efficiency during truck's deceleration, direction changing, and driving on downwards slope.

C3/C4 system

CURTIS big LED dashboard. Non-handset Operation



Imported high performance, and new generation AC controller

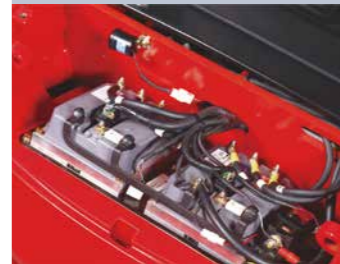


D2 system

HANGCHA dashboard



Inmotion GEN 6 controller



1. Low center of gravity provides good turning stability, and better operator's driving comfort. 150mm adjustable distance of seat provides better operator's comfort of different operators.
2. Soft landing system is applied for A series. When the forks lower to 60-100mm to ground, the soft landing system is auto operated, and to avoid the forks dashing against the ground. New designed broad view mast provides better forward visibility.
3. Easy to see LED dashboard provides friendly interaction.
4. Low noise, no exhaust emission, and low energy consumption, all meet environment friendly requirement.



Service Ability

Full open battery cover, easy for battery service easy opened counter weight cover, to protect internal controller to avoid water and dust World famous brand electronics are applied in motor controller, contactor, power plug, emergency switch, dashboard, and accelerators.

Overloaded protection system is applied for electronics and hydraulics.

CE certificate is available.



Battery cover with auto lock spring for easy battery service and replacing, and clean the oil tank



Side battery changing solution is applied for heavy and long time application



Big dimension anti-slide rubber pad



Protective roof











Easy opened counterweight cover is to protect the internal controllers to avoid water and dust

Accessory

| Standard Features | Options |
|---|---|
| / High efficiency AC driving motor | / Side way battery change (Using pallet truck or trolley) |
| / Special for truck's lifting motor | / Big capacity Chinese made battery |
| / Multi-functions dashboard | / Cold store application |
| / Full electronic controlled travelling, lifting and steering | / High performance import battery |
| / Front lighting system, turning indicator, LED combined three colors rear lights | / Battery charger |
| / Big dimension rubber pad | / Rear lighting system |
| / Sheet metal stamping made front and rear bottom plate | / Front dual tyre |
| / Sheet metal stamping made left and right cover and battery cover | / SE tyre |
| / Reversing beeper | / Non-marking tyre |
| / Full hydraulic steering | / Suspension seat with higher OHG |
| / Storage box | / Left and right rear view mirror |
| / Soft landing system | / Reversing hand grip with horn button |
| / Standard forks in red | / Wide fork carriage |
| / 3m duplex wide view mast | / Wide or higher load backrest |
| / Tow coupling | / Other dimension forks |
| / Center located rear view mirror | / Duplex mast with full free lift |
| | / Triplex mast |
| | / Integrated side shift |
| | / Other attachments |
| | / OPS |
| | / Blue spot light |
| | / Other specification on demand |

Color Selection

| | | | |
|---|-------------------------------------|---|---------------------------------------|
|  | Color NO. STD. Yellow |  | Color NO. STD. Red |
|  | Color NO. RAL2000 Yellow Orange |  | Color NO. RAL6018 Traffic Green |
|  | Color NO. RAL7032 Pebble Grey |  | Color NO. RAL6029 Mint Green |
|  | Color NO. RAL5018 Truquoise Blue |  | Color NO. PANTONE 584C Grass Green |

A Series 1.0-3.5t Electric Forklift Specification

| | | HANGCHA GROUP CO.,LTD. | | | | | | | | |
|---------------------|---|---------------------------------|----------------------|-------------------|-----------------|-----------------|------------------|-----------------|-----------------|---------------|
| Distinguishing mark | 1.1 Manufacturer | | | | | | | | | |
| | | CPD10-AC3/C4/D2 | CPD15-AC3/C4/D2 | CPD18-AC3/C4/D2 | CPD20-AC3/C4/D2 | CPD25-AC3/C4/D2 | CPD25-ALC3/C4/D2 | CPD30-AC3/C4/D2 | CPD35-AC3/C4/D2 | |
| 1.2 | Manufacturers type designation | electric | electric | electric | electric | electric | electric | electric | electric | |
| 1.3 | Drive: electric (battery or mains), diesel, petrol, fuel gas | seated | seated | seated | seated | seated | seated | seated | seated | |
| 1.4 | Operator type: hand, pedestrian, standing, seated, order-picker | Q (kg) | 1000 | 1500 | 1750 | 2000 | 2500 | 2500 | 3000 | 3500 |
| 1.5 | Load capacity/rated load | c (mm) | 500 | 500 | 500 | 500 | 500 | 500 | 500 | 500 |
| 1.6 | Load centre distance | x (mm) | 406 | 406 | 406 | 455 | 455 | 455 | 475 | 475 |
| 1.8 | Load distance, centre of drive axle to fork | y (mm) | 1380 | 1380 | 1380 | 1485 | 1485 | 1625 | 1625 | 1625 |
| 1.9 | Wheelbase | kg | 2940 | 2940 | 3090 | 3880 | 4180 | 4380 | 4850 | 5300 |
| 2.1 | Service Weight | kg | 3900/540 | 3900/540 | 4300/590 | 5196/684 | 5920/760 | 6140/740 | 7060/790 | 7950/850 |
| 2.2 | Axle loading, laden front/rear | kg | 1353/1587 | 1353/1587 | 1440/1650 | 1728/2152 | 1780/2400 | 1930/2450 | 2324/2526 | 2380/2920 |
| 2.3 | Axle loading, unladen front/rear | kg | pneumatic | pneumatic | pneumatic | pneumatic | pneumatic | pneumatic | pneumatic | super elastic |
| 3.1 | Tyres: solid rubber, superelastic, pneumatic, polyurethane | 6.00 - 9 | 6.00 - 9 | 21x8 - 9 | 23x9 - 10 | 23x9 - 10 | 23x9 - 10 | 23x9 - 10 | 23x9 - 10 | 23x10 - 12 |
| 3.2 | Tyre size, front | 5.00 - 8 | 5.00 - 8 | 5.00 - 8 | 18x7 - 8 | 18x7 - 8 | 18x7 - 8 | 18x7 - 8 | 18x7 - 8 | 200/50-10 |
| 3.3 | Tyre size, rear | 2x/2 | 2x/2 | 2x/2 | 2x/2 | 2x/2 | 2x/2 | 2x/2 | 2x/2 | 2x/2 |
| 3.5 | Wheels, number front rear (x = driven wheels) | b ₁₀ (mm) | 888 | 888 | 938 | 1058 | 1058 | 1058 | 1058 | 1068 |
| 3.6 | Tread, front | b ₁₁ (mm) | 897.5 | 897.5 | 897.5 | 960 | 960 | 960 | 960 | 960 |
| 3.7 | Tread, rear | α/β(°) | 5/10 | 5/10 | 5/10 | 5/10 | 5/10 | 5/10 | 5/10 | 5/10 |
| 4.1 | Tilt of mast/fork carriage forward/backward | h ₁ (mm) | 1976 | 1976 | 1976 | 2006 | 2006 | 2006 | 2186 | 2186 |
| 4.2 | Height, mast lowered | h ₂ (mm) | 145/135/135 | 145/135/135 | 145/135/135 | 140 | 140 | 140 | 145 | 145 |
| 4.3 | Free lift | h ₃ (mm) | 3000 | 3000 | 3000 | 3000 | 3000 | 3000 | 3000 | 3000 |
| 4.4 | Lift | h ₄ (mm) | 3955 | 3955 | 3955 | 4056 | 4056 | 4056 | 4152 | 4152 |
| 4.5 | Height, mast extended | h ₅ (mm) | 2130 | 2130 | 2130 | 2155 | 2155 | 2190 | 2190 | 2190 |
| 4.7 | Height of overhead guard STD. | h ₆ (mm) | 2050 | 2050 | 2050 | 2075 | 2075 | 2110 | 2110 | 2110 |
| 4.8 | Height of overhead guard OPT. | h ₇ (mm) | 1045 | 1045 | 1045 | 1070 | 1070 | 1070 | 1070 | 1070 |
| 4.8 | Seat height | h ₁₀ (mm) | 275 | 275 | 275 | 303 | 303 | 303 | 303 | 303 |
| 4.12 | Coupling height | l ₁ (mm) | 3018 | 3018 | 3018 | 3412 | 3412 | 3552 | 3572 | 3652 |
| 4.19 | Overall length | l ₂ (mm) | 2098 | 2098 | 2098 | 2342 | 2342 | 2482 | 2502 | 2582 |
| 4.20 | Length to face of forks | b ₁ (mm) | 1120 | 1120 | 1138 | 1265 | 1265 | 1265 | 1265 | 1302 |
| 4.21 | Overall width | s/e/l (mm) | 35/120/920 | 35/120/920 | 35/120/920 | 40/122/1070 | 40/122/1070 | 40/122/1070 | 45/125/1070 | 50/125/1070 |
| 4.22 | Fork dimensions | b ₂ (mm) | 1072 | 1072 | 1072 | 1118 | 1118 | 1118 | 1200 | 1200 |
| 4.23 | Fork carriage DIN 15 173 --- ISO 2328, class/type A,B | b ₃ (mm) | 240/1000 | 240/1000 | 240/1000 | 240/1038 | 240/1038 | 240/1038 | 290/1100 | 290/1100 |
| 4.24 | Fork-carriage width | m ₁ (mm) | 100 | 100 | 100 | 112 | 112 | 112 | 115 | 115 |
| 4.25 | Distance between fork-arms | m ₂ (mm) | 110 | 110 | 110 | 120 | 120 | 125 | 125 | 125 |
| 4.31 | Ground clearance, laden, below mast | A _{st} (mm) | 3506 | 3506 | 3506 | 3745 | 3745 | 3885 | 3905 | 3985 |
| 4.32 | Ground clearance, centre of wheelbase | A _{st} (mm) | 3706 | 3706 | 3706 | 3945 | 3945 | 4085 | 4105 | 4185 |
| 4.34.1 | Aisle width for pallets 1000 x 1200 crossways | W _a (mm) | 1900 | 1900 | 1900 | 2090 | 2090 | 2230 | 2230 | 2310 |
| 4.34.2 | Aisle width for pallets 800 x 1200 Lengthways | b ₁₃ (mm) | 620 | 620 | 680 | 730 | 730 | 730 | 730 | 730 |
| 4.35 | Turning radius | km/h | 14/14 | 14/14 | 13.5/14 | 14/14 | 14/14 | 14/14 | 14/14 | 12/13 |
| 4.36 | Internal turning radius | m/s | 0.29/0.44 | 0.29/0.44 | 0.285/0.44 | 0.28/0.44 | 0.23/0.43 | 0.23/0.43 | 0.25/0.4 | 0.21/0.4 |
| 5.1 | Travel speed, laden/unladen | m/s | 0.3/0.41 | 0.3/0.41 | 0.275/0.42 | 0.285/0.42 | 0.215/0.41 | 0.215/0.41 | 0.26/0.39 | 0.26/0.37 |
| 5.2 | Lift speed, laden/unladen | N | 9000 /10000 | 9000 /10000 | 9500/11000 | 12000/12500 | 16000/17000 | 16000/17000 | 20000 /21000 | 20500/21000 |
| 5.3 | Lowering speed, laden/unladen | N | 11000 | 11000 | 12000 | 14000 | 18000 | 18000 | 22000 | 23000 |
| 5.5 | Drawbar pull, laden/unladen | % | 12/13 | 12/13 | 12/13 | 11/12 | 11/12 | 11/12 | 11/12 | 11/12 |
| 5.6 | Max. Drawbar pull, laden/unladen | % | 15/16 | 15/16 | 15/16 | 13/14 | 13/14 | 13/14 | 13/14 | 13/14 |
| 5.7 | Gradeability, laden/unladen | s | 5.3/5.0 | 5.3/5.0 | 5.3/5.1 | 5.2/4.6 | 5.3/4.7 | 5.3/5 | 5.3/5 | 5.5/5.2 |
| 5.8 | Max. gradeability, laden/unladen | Hydraulic | Hydraulic | Hydraulic | Hydraulic | Hydraulic | Hydraulic | Hydraulic | Hydraulic | Hydraulic |
| 5.9 | Acceleration time, laden/unladen (0-10m) | Mechanical | Mechanical | Mechanical | Mechanical | Mechanical | Mechanical | Mechanical | Mechanical | Mechanical |
| 5.10 | Service brake | 8 AC | 8 AC | 8 AC | 11 AC | 11 AC | 11 AC | 15AC | 15AC | 15 AC |
| | Parking brake | 8.2 DC/8.6 AC/ 8.6 AC | 8.6 DC/8.6 AC/8.6 AC | 10 DC/10 AC/10 AC | | | | | | |
| 6.1 | Drive motor rating S2 60 min | no | no | no | no | no | no | no | no | no |
| 6.2 | Lift motor rating at S3 15% | V/Ah | 48/420 | 48/420 | 48/420 | 48/630 | 48/630 | 80/500 | 80/500 | 80/500 |
| 6.3 | Battery acc.to DIN 43 531/35/36 A.B.C.no | kg | 760 | 760 | 760 | 1050 | 1050 | 1530 | 1530 | 1530 |
| 6.4 | Battery voltage, nominal capacity K5 (Lead-acid) | kg | 700 | 700 | 700 | 930 | 930 | 1200 | 1200 | 1200 |
| 6.5 | Battery weight | kg | 900 | 900 | 900 | 1200 | 1200 | 1550 | 1550 | 1550 |
| | Min. battery weight | l/b/h(mm) | 980*465*780 | 980*465*780 | 980*465*780 | 1028*570*780 | 1028*570*780 | 1028*710*780 | 1028*710*780 | 1028*710*780 |
| | Max. battery weight | kWh/h | 4.4 | 4.4 | 4.6 | 5.0 | 5.8 | 5.8 | 6.5 | 6.7 |
| 6.6 | Energy consumption acc. to VDI cycle | MOSFET/AC | | | | | | | | |
| 8.1 | Type of drive control | CURTIS / CURTIS / INMOTION GEN6 | | | | | | | | |
| 9.1 | Manufacturer | bar | 145 | 145 | 145 | 175 | 175 | 175 | 175 | 175 |
| 10.1 | Operating pressure for attachments | l/min | 65 | 65 | 65 | 65 | 65 | 65 | 65 | 65 |
| 10.2 | Oil volume for attachments | liter(gal) | 22 | 22 | 22 | 22 | 22 | 22 | 24 | 24 |
| 10.3 | Hydraulic Tank - capacity (drain & refill) | dB (A) | 72 | 72 | 73 | 73 | 74 | 74 | 74 | 74 |
| 10.7 | Sound pressure level at the driver's seat | Φ24 Pin | Φ24 Pin | Φ24 Pin | Φ24 Pin | Φ24 Pin | Φ24 Pin | Φ24 Pin | Φ24 Pin | Φ24 Pin |
| 10.8 | Towing coupling, type DIN 15170 | | | | | | | | | |

AC3: means Curtis AC traveling system with DC Pump system, semi-AC system, AC4: means Curtis AC traveling system with AC Pump system, full-AC system

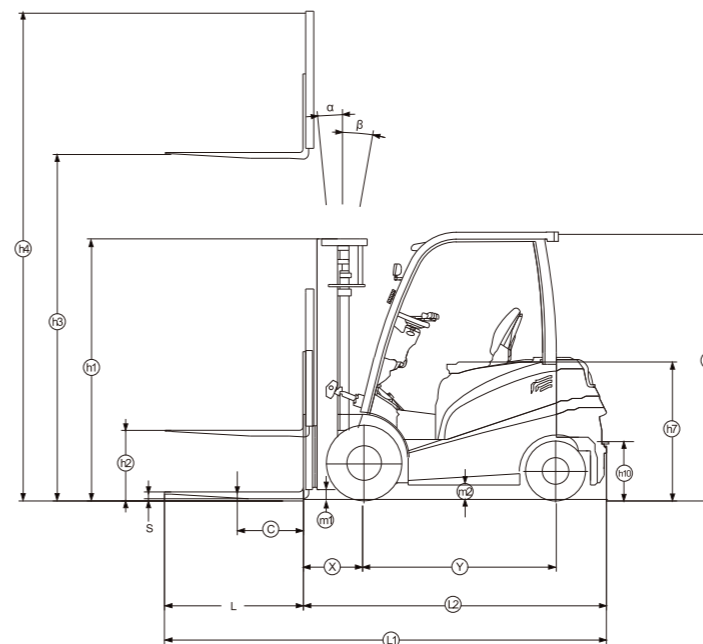
AD2: means Inmotion AC traveling system with AC Pump system, full-AC system

Li-Ion Battery Specification

| Type | | CPD10-AC4-I | CPD15-AC4-I | CPD18-AC4-I | CPD20-AC4-I | CPD25-AC4-I | CPD25-ALC4-I | CPD30-AC4-I | CPD35-AC4-I |
|---------------------------|------|-------------|-------------|-------------|-------------|-------------|--------------|-------------|-------------|
| Battery voltage, capacity | V/Ah | 80/200 | 80/200 | 80/200 | 80/270 | 80/270 | 80/400 | 80/400 | 80/400 |
| | | CPD10-AD2-I | CPD15-AD2-I | CPD18-AD2-I | CPD20-AD2-I | CPD25-AD2-I | CPD25-ALD2-I | CPD30-AD2-I | CPD35-AD2-I |

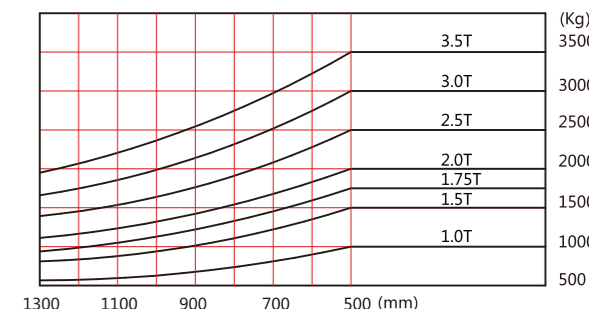
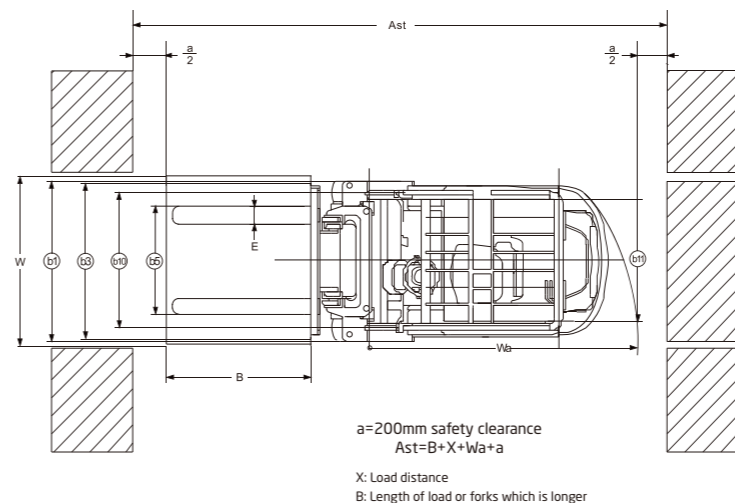
1.0~1.8t A Series Mast Specification

| Type | Model | Lifting height mm | Lowered overall height mm | Overall height | | Free lifting height | | Tilting range | | Capacity (Mast vertical to ground) | | | | | |
|--------------------------------|-------|----------------------|------------------------------|----------------|------------------|---------------------|------------------|---------------|-----|------------------------------------|------|-------|-----------------------------------|------|-------|
| | | | | With backrest | Without backrest | With backrest | Without backrest | FWD | BWD | Load center@500mm Single Tire | | | Load center@500mm Front Dual Tire | | |
| | | | | mm | mm | mm | mm | (°) | (°) | 1.0t | 1.5t | 1.75t | 1.0t | 1.5t | 1.75t |
| Duplex wide view mast | M250 | 2500 | 1726 | 3455 | 3064 | 145 | 145 | 5 | 6 | 1000 | 1500 | 1750 | 1000 | 1500 | 1750 |
| | M270 | 2700 | 1826 | 3655 | 3264 | 145 | 145 | 5 | 6 | 1000 | 1500 | 1750 | 1000 | 1500 | 1750 |
| | M300 | 3000 | 1976 | 3955 | 3564 | 145 | 145 | 5 | 10 | 1000 | 1500 | 1750 | 1000 | 1500 | 1750 |
| | M330 | 3300 | 2126 | 4255 | 3864 | 145 | 145 | 5 | 10 | 1000 | 1500 | 1750 | 1000 | 1500 | 1750 |
| | M350 | 3500 | 2226 | 4455 | 4064 | 145 | 145 | 5 | 10 | 1000 | 1500 | 1750 | 1000 | 1500 | 1750 |
| | M360 | 3600 | 2326 | 4555 | 4164 | 145 | 145 | 5 | 10 | 960 | 1450 | 1750 | 960 | 1450 | 1750 |
| | M400 | 4000 | 2576 | 4955 | 4564 | 145 | 145 | 5 | 10 | 930 | 1400 | 1700 | 930 | 1400 | 1700 |
| | M430 | 4300 | 2726 | 5255 | 4864 | 145 | 145 | 5 | 6 | 850 | 1300 | 1550 | 910 | 1350 | 1650 |
| | M450 | 4500 | 2826 | 5455 | 5064 | 145 | 145 | 5 | 6 | 800 | 1200 | 1450 | 900 | 1300 | 1600 |
| | M450 | 4500 | 2826 | 5455 | 5064 | 145 | 145 | 5 | 6 | 800 | 1200 | 1450 | 900 | 1300 | 1600 |
| Duplex full-free lifting mast | U250 | 2500 | 1726 | 3455 | 3095 | 781 | 1141 | 5 | 6 | 1000 | 1500 | 1750 | 1000 | 1500 | 1750 |
| | U270 | 2700 | 1826 | 3655 | 3295 | 881 | 1241 | 5 | 6 | 1000 | 1500 | 1750 | 1000 | 1500 | 1750 |
| | U300 | 3000 | 1976 | 3955 | 3595 | 1031 | 1391 | 5 | 10 | 1000 | 1500 | 1750 | 1000 | 1500 | 1750 |
| | U330 | 3300 | 2126 | 4255 | 3895 | 1181 | 1541 | 5 | 10 | 1000 | 1500 | 1750 | 1000 | 1500 | 1750 |
| | U360 | 3600 | 2276 | 4555 | 4195 | 1331 | 1691 | 5 | 10 | 900 | 1350 | 1750 | 930 | 1450 | 1750 |
| | U400 | 4000 | 2526 | 4955 | 4595 | 1581 | 1941 | 5 | 10 | 850 | 1300 | 1650 | 900 | 1350 | 1600 |
| Triplex full-free lifting mast | N400 | 4000 | 1976 | 4955 | 4736 | 1031 | 1250 | 5 | 6 | 900 | 1350 | 1600 | 930 | 1400 | 1700 |
| | N430 | 4300 | 2076 | 5255 | 5036 | 1131 | 1350 | 5 | 6 | 850 | 1300 | 1550 | 850 | 1350 | 1600 |
| | N450 | 4500 | 2086 | 5465 | 5105 | 1141 | 1501 | 5 | 6 | 800 | 1200 | 1450 | 800 | 1250 | 1500 |
| | N480 | 4800 | 2201 | 5755 | 5411 | 1256 | 1600 | 5 | 6 | 650 | 1100 | 1300 | 700 | 1200 | 1350 |
| | N500 | 5000 | 2251 | 5955 | 5595 | 1306 | 1666 | 5 | 6 | 600 | 1000 | 1200 | 650 | 1050 | 1250 |
| | N550 | 5500 | 2426 | 6455 | 6095 | 1481 | 1841 | 3 | 6 | 500 | 700 | 800 | 550 | 750 | 900 |
| | N600 | 6000 | 2651 | 6955 | 6661 | 1706 | 2000 | 3 | 6 | 300 | 450 | 600 | 350 | 500 | 650 |
| | N650 | 6500 | 2816 | 7455 | 7126 | 1871 | 2200 | 3 | 6 | 200 | 250 | 350 | 300 | 400 | 500 |



2.0~2.5t A Series Mast Specification

| Type | Model | Lifting height mm | Lowered overall height mm | Overall height | | Free lifting height | | Tilting range | | Capacity (Mast vertical to ground) | | | | | | | |
|--------------------------------|-------|----------------------|------------------------------|----------------|------------------|---------------------|------------------|---------------|----------|------------------------------------|------|-----------------------------------|------|------------------------------|------|----------------------------------|------|
| | | | | With backrest | Without backrest | With backrest | Without backrest | Forward | Backward | Load center@500mm Single Tire | | Load center@500mm Front Dual Tire | | Load center@24in Single Tire | | Load center@24in Front Dual Tire | |
| | | | | mm | mm | mm | mm | (°) | (°) | 2.0t | 2.5t | 2.0t | 2.5t | 4000 | 5000 | 4000 | 5000 |
| Duplex wide view mast | M250 | 2500 | 1756 | 3556 | 3151 | 145 | 145 | 5 | 6 | 2000 | 2500 | 2000 | 2500 | 4000 | 5000 | 4000 | 5000 |
| | M270 | 2700 | 1856 | 3756 | 3351 | 145 | 145 | 5 | 6 | 2000 | 2500 | 2000 | 2500 | 4000 | 5000 | 4000 | 5000 |
| | M300 | 3000 | 2006 | 4056 | 3651 | 145 | 145 | 5 | 10 | 2000 | 2500 | 2000 | 2500 | 4000 | 5000 | 4000 | 5000 |
| | M330 | 3300 | 2171 | 4386 | 3981 | 145 | 145 | 5 | 10 | 2000 | 2500 | 2000 | 2500 | 4000 | 5000 | 4000 | 5000 |
| | M350 | 3500 | 2256 | 4556 | 4151 | 145 | 145 | 5 | 10 | 2000 | 2500 | 2000 | 2500 | 4000 | 5000 | 4000 | 5000 |
| | M360 | 3600 | 2306 | 4656 | 4251 | 145 | 145 | 5 | 10 | 2000 | 2500 | 2000 | 2500 | 4000 | 5000 | 4000 | 5000 |
| | M400 | 4000 | 2556 | 5056 | 4651 | 145 | 145 | 5 | 10 | 1900 | 2300 | 1950 | 2400 | 3800 | 4600 | 3900 | 4800 |
| | M430 | 4300 | 2731 | 5376 | 4971 | 145 | 145 | 5 | 6 | 1800 | 2100 | 1900 | 2300 | 3600 | 4200 | 3800 | 4600 |
| | M450 | 4500 | 2831 | 5556 | 5151 | 145 | 145 | 5 | 6 | 1700 | 2000 | 1800 | 2200 | 3400 | 4000 | 3600 | 4400 |
| | M450 | 4500 | 2831 | 5556 | 5151 | 145 | 145 | 5 | 6 | 1700 | 2000 | 1800 | 2200 | 3400 | 4000 | 3600 | 4400 |
| Duplex full-free lifting mast | U250 | 2500 | 1781 | 3546 | 3132 | 735 | 1149 | 5 | 6 | 2000 | 2500 | 2000 | 2500 | 4000 | 5000 | 4000 | 5000 |
| | U270 | 2700 | 1881 | 3746 | 3332 | 835 | 1249 | 5 | 6 | 2000 | 2500 | 2000 | 2500 | 4000 | 5000 | 4000 | 5000 |
| | U300 | 3000 | 1981 | 4046 | 3632 | 935 | 1349 | 5 | 10 | 2000 | 2500 | 2000 | 2500 | 4000 | 5000 | 4000 | 5000 |
| | U330 | 3300 | 2131 | 4346 | 3932 | 1085 | 1499 | 5 | 10 | 2000 | 2500 | 2000 | 2500 | 4000 | 5000 | 4000 | 5000 |
| | U360 | 3600 | 2281 | 4646 | 4232 | 1235 | 1649 | 5 | 10 | 2000 | 2500 | 2000 | 2500 | 4000 | 5000 | 4000 | 5000 |
| | U400 | 4000 | 2531 | 5046 | 4632 | 1485 | 1899 | 5 | 10 | 1900 | 2300 | 1950 | 2350 | 3800 | 4600 | 3900 | 4700 |
| Triplex full-free lifting mast | N430 | 4300 | 2026 | 5356 | 4980 | 980 | 1356 | 5 | 6 | 1700 | 2000 | 1800 | 2250 | 3400 | 4000 | 3600 | 4500 |
| | N450 | 4500 | 2096 | 5606 | 5230 | 1050 | 1426 | 5 | 6 | 1600 | 1900 | 1700 | 2150 | 3200 | 3800 | 3400 | 4300 |
| | N480 | 4800 | 2196 | 5856 | 5480 | 1150 | 1526 | 5 | 6 | 1500 | 1700 | 1600 | 2100 | 3000 | 3400 | 3200 | 4200 |
| | N500 | 5000 | 2261 | 6056 | 5680 | 1215 | 1591 | 5 | 6 | 1400 | 1600 | 1500 | 2000 | 2800 | 3200 | 3000 | 4000 |
| | N550 | 5500 | 2426 | 6556 | 6180 | 1380 | 1756 | 3 | 6 | 1050 | 1200 | 1450 | 1900 | 2100 | 2400 | 2900 | 3800 |
| | N600 | 6000 | 2646 | 7066 | 6690 | 1600 | 1976 | 3 | 6 | 700 | 800 | 1400 | 1600 | 1400 | 1600 | 2800 | 3200 |
| | N650 | 6500 | 2820 | 7556 | 7180 | 1775 | 2151 | 3 | 6 | 500 | 650 | 1200 | 1300 | 1000 | 1300 | 2400 | 2600 |



3.0~3.5t A Series Mast Specification

| Type | Model | Lifting height mm | Lowered overall height | | Overall height | | | | Free lifting height | | | | Tilting range | | Capacity (Mast vertical to ground) | | | | | | | | Capacity (Mast most forward@max height) | | | | Capacity (Mast most forward@max height) | | | | | |
|-----------------------|-------|----------------------|------------------------|------|----------------|---------------|------------------|------------------|---------------------|---------------|------------------|------------------|---------------|----------|------------------------------------|------|-----------------------------------|------|------------------------------|------|----------------------------------|------|---|------|-----------------------------------|------|---|------|----------------------------------|------|------|------|
| | | | 3.0t | 3.5t | With backrest | With backrest | Without backrest | Without backrest | With backrest | With backrest | Without backrest | Without backrest | Forward | Backward | Load center@500mm Single Tire | | Load center@500mm Front Dual Tire | | Load center@24in Single Tire | | Load center@24in Front Dual Tire | | Load center@500mm Single Tire | | Load center@500mm Front Dual Tire | | Load center@24in Single Tire | | Load center@24in Front Dual Tire | | | |
| | | | mm | mm | 3.0t | 3.5t | 3.0t | 3.5t | 3.0t | 3.5t | 3.0t | 3.5t | (°) | (°) | 3.0t | 3.5t | 3.0t | 3.5t | 6000 | 7000 | 6000 | 7000 | 6000 | 7000 | 6000 | 7000 | 3.0t | 3.5t | 3.0t | 3.5t | 6000 | 7000 |
| Duplex wide view mast | M250 | 2500 | 1786 | 1936 | 3652 | 3652 | 3213 | 3288 | 145 | 150 | 145 | 150 | 5 | 6 | 3000 | 3500 | 3000 | 3500 | 6000 | 7000 | 6000 | 7000 | 6000 | 7000 | 2490 | 2905 | 2490 | 2905 | 4980 | 5810 | 4980 | 5810 |
| | M270 | 2700 | 1886 | 2036 | 3852 | 3852 | 3413 | 3488 | 145 | 150 | 145 | 150 | 5 | 6 | 3000 | 3500 | 3000 | 3500 | 6000 | 7000 | 6000 | 7000 | 6000 | 7000 | 2460 | 2870 | 2460 | 2870 | 4920 | 5740 | 4920 | 5740 |
| | M300 | 3000 | 2036 | 2186 | 4152 | 4152 | 3713 | 3788 | 145 | 150 | 145 | 150 | 5 | 10 | 3000 | 3500 | 3000 | 3500 | 6000 | 7000 | 6000 | 7000 | 6000 | 7000 | 2400 | 2800 | 2400 | 2800 | 4800 | 5600 | 4800 | 5600 |
| | M330 | 3300 | 2186 | 2336 | 4452 | 4452 | 4013 | 4088 | 145 | 150 | 145 | 150 | 5 | 10 | 3000 | 3500 | 3000 | 3500 | 6000 | 7000 | 6000 | 7000 | 6000 | 7000 | 2340 | 2730 | 2340 | 2730 | 4680 | 5460 | 4680 | 5460 |
| | M350 | 3500 | 2286 | 2436 | 4652 | 4652 | 4213 | 4288 | 145 | 150 | 145 | 150 | 5 | 10 | 3000 | 3500 | 3000 | 3500 | 6000 | 7000 | 6000 | 7000 | 6000 | 7000 | 2310 | 2695 | 2310 | 2695 | 4620 | 5390 | 4620 | 5390 |
| | M360 | 3600 | 2336 | 2486 | 4752 | 4752 | 4313 | 4388 | 145 | 150 | 145 | 150 | 5 | 10 | 3000 | 3500 | 3000 | 3500 | 6000 | 7000 | 6000 | 7000 | 6000 | 7000 | 2310 | 2695 | 2310 | 2695 | 4620 | 5390 | 4620 | 5390 |
| | M400 | 4000 | 2586 | 2686 | 5152 | 5152 | 4713 | 4788 | 145 | 150 | 145 | 150 | 5 | 10 | 2850 | 3250 | 2900 | 3500 | 5700 | 6500 | 5800 | 7000 | 7000 | 7000 | 2138 | 2438 | 2175 | 2625 | 4276 | 4876 | 4350 | 5250 |
| | M430 | 4300 | 2761 | 2836 | 5472 | 5452 | 5033 | 5088 | 145 | 150 | 145 | 150 | 5 | 6 | 2700 | 3000 | 2750 | 3400 | 5400 | 6000 | 5500 | 6800 | 6800 | 6800 | 1970 | 2190 | 2008 | 2482 | 3940 | 4380 | 4016 | 4964 |
| | M450 | 4500 | 2861 | 2936 | 5652 | 5652 | 5213 | 5288 | 145 | 150 | 145 | 150 | 5 | 6 | 2550 | 2850 | 2600 | 3350 | 5100 | 5700 | 5200 | 6700 | 6700 | 6700 | 1800 | 2052 | 1872 | 2412 | 3600 | 4104 | 3744 | 4824 |
| | M480 | 4800 | 3026 | 3086 | 5952 | 5952 | 5513 | 5588 | 145 | 150 | 145 | 150 | 5 | 6 | 2250 | 2450 | 2500 | 2950 | 4500 | 4900 | 5000 | 5900 | 5900 | 5900 | 1598 | 1740 | 1775 | 2095 | 3196 | 3480 | 3550 | 4190 |
| M500 | 5000 | 3136 | 3186 | 6152 | 6152 | 5713 | 5788 | 145 | 150 | 145 | 150 | 5 | 6 | 2100 | 2 | | | | | | | | | | | | | | | | | |