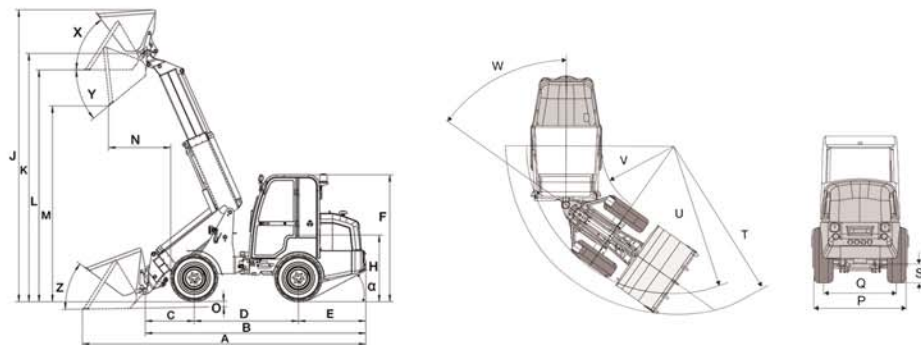


# 850T WHEEL LOADER



## TECHNICAL DATA

Model	850T	
Manufacturer	KUBOTA	
Engine type	V2403-T-DI-E3B	
Engine data	Cylinder	4
	Max. power(kW/HP/rpm)	37 / 50 / 2600
	Capacity (cm <sup>3</sup> )	2434
	Cooling	water-cooled
	Operating voltage(V)	12
Electrical system	Battery(Ah)	72
	Generator(A)	65
Weights	Operating weight(standard) (kg)	3200
	Max. lifting force(daN)	2100
Vehicle data	Driving speed(km/h)	0~10 ; 0~24
	Capacity of fuel tank(l)	50
	Hydraulic oil (l)	60
Hydraulic driving	Working pressure(bar)	400
	Output(l/min)	84
Hydraulic working	Working pressure(bar)	180
	Output(l/min)	48~52
<b>Tipping loads in bucket (according to ISO 8313) (kg)</b>		
Lift frame horizontal / contraction / machine straight		1760
Lift frame horizontal / extension / machine straight		990
Lift frame horizontal / contraction / machine articulated		1400
Lift frame horizontal / extension / machine articulated		780
<b>Tipping loads in pallet fork (according to ISO 8313)(kg)</b>		
Lift frame horizontal / contraction / machine straight		1400
Lift frame horizontal / extension / machine straight		710
Lift frame horizontal / contraction / machine articulated		1140
Lift frame horizontal / extension / machine articulated		580
Drive type	Hydrostatically via drive shaft	
Noise values	Guaranteed sound power level LwA ( dB (A))	101

## OUTLINE DIMENSIONS

Model	850T	
Dimensions (mm)	standard	
A	Total length with standard bucket	5057
B	Total length without bucket	3933
C	Axle center up to bucket hinge pin	873
D	Wheelbase	1860
E	Rear overhang	1200
F	Height to top of FOPS bar	2255
H	Seat height	1249
J	Total working height	5210
K	Max. height of bucket pivot	4432
L	Overhead loading height	4137
M	Max. dumping height	3495
N	Operating distance for E	1106
O	Digging depth	96
P	Total width	1340
Q	Track width	1110
S	Ground clearance	255
T	Radius at the outer edge	2635
U	Max. turning radius	2320
V	Inside turning radius	1200
W	Turning angle	45°
X	Rollback angle at max. lifting height	45°
Y	Max. dumping angle	43°
Z	Backroll angle on the ground	45°
α	Departure angle	28°
Wheel options (Width)		
	11.5/80-15.3 EM	1340 / 1160



## PRODUCT FEATURES

- High performance environmental protection engine imported from Japan
- Telescopic lift frame design to provide greater lifting height
- Safety and comfortable driver protection guard / Cab
- Advanced ergonomic engineering design, safe and reliable, easy to maintain
- Hydrostatic transmission system, provide two-speed motor to choose, the performance is better.
- Quick change with various attachments