

# 810 WHEEL LOADER



## »»» PRODUCT FEATURES

- Quick change with various attachments
- High performance environmental protection engine imported from Japan
- Whole hood can be overturned, maintenance more convenient
- Safety and comfortable driver protection guard / Cab
- Advanced ergonomic engineering design
- Hydrostatic transmission system

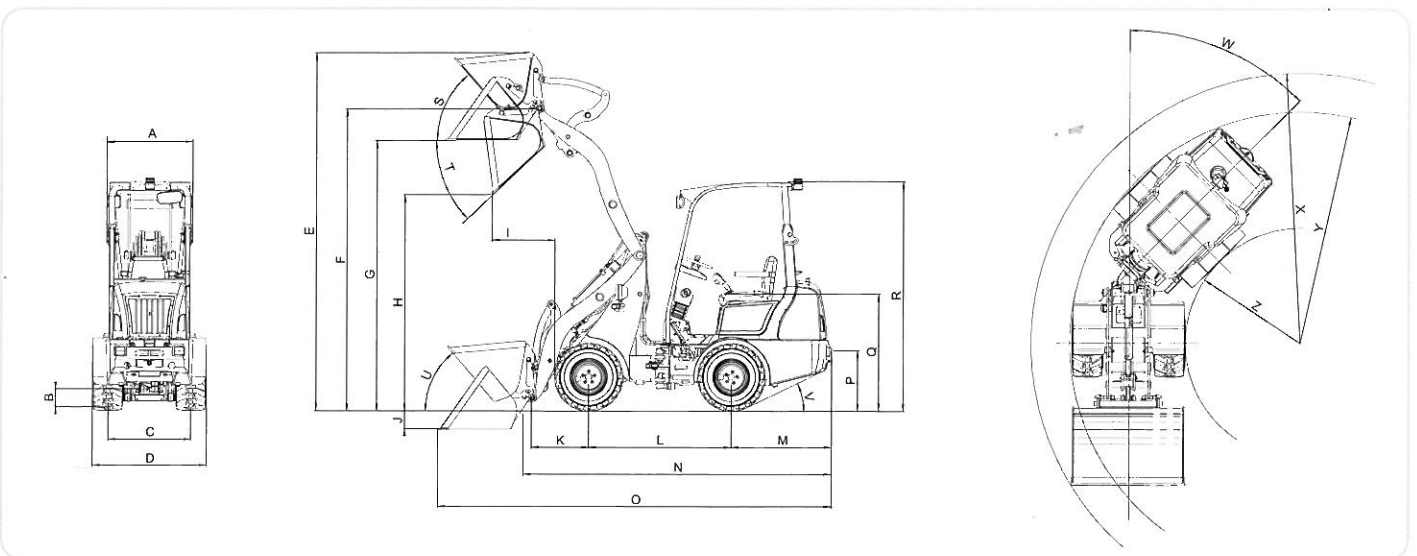
**FIRST AVENUE** →

## TECHNICAL DATA & OUTLINE DIMENSIONS

Model	810 K26 / HK26	810 K33 / HK33
<b>Engine data</b>		
Manufacturer	KUBOTA	KUBOTA
Engine type	D1105	D1105-T
Cylinder	3	3
Max. power (kW)	18.5	24.5
At rpm (N.m / rpm)	71.4 / 1600	88.1 / 2000
Capacity (cm <sup>3</sup> )	1123	1123
Cooling	water-cooled	water-cooled
<b>Electrical system</b>		
Operating voltage (V)	12	12
Battery (Ah)	60	60
<b>Weights</b>		
Operating weight (standard) (kg)	1700	1700
Max. lifting force (daN)	1100	1100
<b>Tipping loads in bucket (kg) (according to ISO 8313)</b>		
Lift frame horizontal & machine straight	1000 / 850	1000 / 850
Lift frame horizontal & machine articulated	750 / 550	750 / 550
<b>Vehicle data</b>		
Driving speed (km/h)	0-12	0-12
Capacity of fuel tank (l)	26	26
Hydraulic oil (l)	40	40
<b>Hydraulic system</b>		
<b>Hydraulic driving</b>		
Output (l/min)	84	84
Working pressure (bar)	300	300
<b>Hydraulic operation</b>		
Output (l/min)	32	32
Working pressure (bar)	180	180

Model	810 K26 810 K33	810 HK26 810 HK33	
<b>Dimensions (mm)</b>			
A	Bar width	830	830
B	Ground clearance	174	174
C	Track width	803	803
D	Total width	1110	1110
E	Total working height	3440	3440
F	Max. height of bucket pivot	2556	2900
G	Overhead loading height	2238	2596
H	Max. dumping height	1694	2066
I	Operating distance for M	482	613
J	Digging depth	183	170
K	Axle center up to bucket hinge pin	430	550
L	Wheelbase	1370	1370
M	Rear overhang	960	960
N	Total length without bucket	2840	2960
O	Total length with standard bucket	3650	3780
P	Coupler height	585	585
Q	Seat height	1128	1128
R	Height to top of ROPS bar	2210	2210
S	Rollback angle at max.lifting height	48°	49°
T	Max. dumping angle	45°	43°
X	Min. turning radius	2530	2590
Y	Radius at the outer edge	2220	2220
Z	Inside turning radius	1110	1110
U	Backroll angle on the ground	48°	50°
V	Departure angle	25	25
W	Turn angle	45°	45°
<b>Width (mm)</b>			
	27X8.5-15	970	970
	26X12-12 AS	1110	1110
Values printed in bold indicate the standard tyre equipment			

FIRST AVENUE reserves the right to explain the above parameter. No prior notice will be given for any changes, some pictures might not be the standard equipments of the model.



**FIRST AVENUE**

Jiangsu First Avenue Industry Co., Ltd.

Add: No.18 Gongxin Road, JJ industrial zone, Taizhou, Jiangsu, China

Http://www.firstavenue-cn.com

E-mail: firstavenue@outlook.com